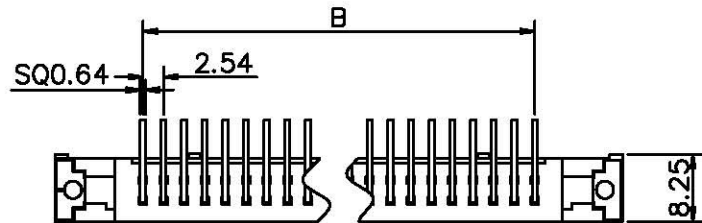


RoHS

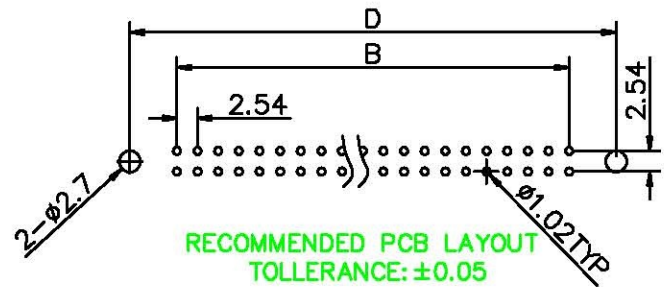
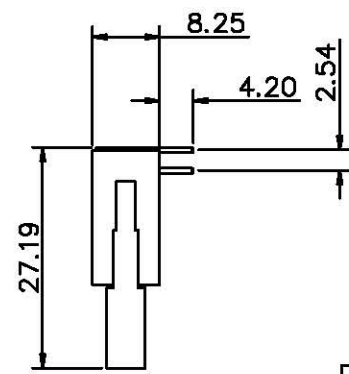
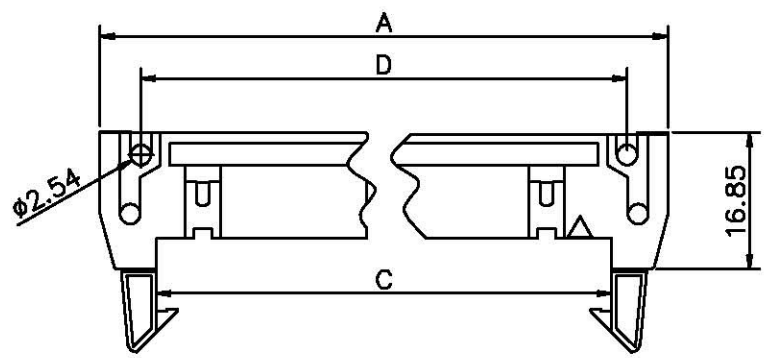
REV	DESCRIPTION.	Date
B		
A		



MATERIALS:
 INSULATOR:P.B.T.30%GLASS FIBER,UL94V-0
 CONTACTS:BRASS OR PHOSPHOR BRONZE,
 GOLD FLASH OVER NICKEL

SPECIFICATION

Current Rating: 3 Amps
 Insulator Resistance:1000 Megohms min.
 Dielectric Withstanding: AC 500V
 Operating Temp.: -40°C +105°C
 Contact Material: Copper alloy
 Insulator Material: PBT+30%G.F (UL94V-0)
 Plated(*Standard): Gold flash all over



CONTACTS	10	12	14	16	20	24	26
A	31.90	34.60	36.98	39.52	44.60	49.68	52.15
B	10.16	12.70	15.24	17.78	22.86	27.94	30.48
C	18.00	20.54	23.08	25.62	30.70	35.78	38.32
D	21.8	24.34	26.88	29.42	34.5	39.58	42.12
CONTACTS	30	34	40	50	60	64	
A	57.40	62.38	70.00	82.70	95.60	100.7	
B	35.56	40.64	48.26	60.96	73.66	78.74	
C	43.4	48.48	56.1	68.8	81.5	86.58	
D	47.2	52.28	59.9	72.6	85.3	90.4	

				Units	mm	Scale	1:1	Drawing By	Date				
				Tolerance Unless Otherwise Specified				Kirby-Xiao	2018/07/12				
				.X ~ ±0.30				Reviewed By	Date				
				.XX ~ ±0.25				Andy-Zhang	2018/07/12				
				.XXX ~ ±0.20				Approval By	Date	Sheet	1 of 1	Title	PH2.54mm 牛角 R/A DIP
ITEM	P/N	UNIT	Q'TY	Angle ~ ± 3°				Darren-Lin	2018/07/12	Third Angle Projection		Part No.	REV A